



## STANDARD EXECUTIONS

- **GN 565.5-A-GS:** Oval cross-section bar in AISI 304 stainless steel, sandblasted matte finish.



Threaded blind holes.



- **GN 565.5-A-GP:** Oval cross-section bar in AISI 304 stainless steel, polished finish.



Threaded blind holes.



- **GN 565.5-B-GS:** cast AISI CF-8 stainless steel, sandblasted matte finish.

Pass-through holes for cylindrical-head screws with hexagon socket.

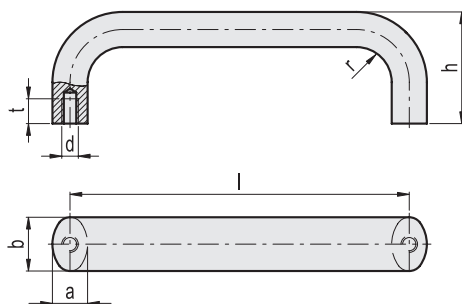


## SPECIAL EXECUTIONS ON REQUEST

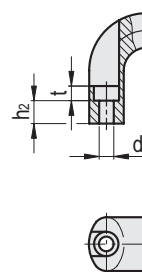
Lengths and colours other than the standard executions.



GN 565.5-A



GN 565.5-B



## GN 565.5-A-GS

Code	Description	b	d	l±0.25	a	h	r	tmin	⚖
GN.27431	GN 565.5-20-112-A-GS	20	M6	112	13	49	13	10	293
GN.27435	GN 565.5-20-128-A-GS	20	M6	128	13	51	13	10	330
GN.27437	GN 565.5-20-160-A-GS	20	M6	160	13	51	13	10	366
GN.27439	GN 565.5-20-200-A-GS	20	M6	200	13	51	13	10	440
GN.27441	GN 565.5-20-250-A-GS	20	M6	250	13	51	13	10	517
GN.27443	GN 565.5-20-300-A-GS	20	M6	300	13	51	13	10	597
GN.27445	GN 565.5-20-350-A-GS	20	M6	350	13	51	13	10	660
GN.27447	GN 565.5-20-400-A-GS	20	M6	400	13	51	13	10	737
GN.64792	GN 565.5-26-128-A-GS	26	M8	128	17	57	19	12	520
GN.64795	GN 565.5-26-160-A-GS	26	M8	160	17	57	19	12	600
GN.64798	GN 565.5-26-200-A-GS	26	M8	200	17	57	19	12	715
GN.64800	GN 565.5-26-300-A-GS	26	M8	300	17	57	19	12	990
GN.64802	GN 565.5-26-400-A-GS	26	M8	400	17	57	19	12	1260
GN.64803	GN 565.5-26-500-A-GS	26	M8	500	17	57	19	12	1525

## GN 565.5-A-GP

Code	Description	b	d	l±0.25	a	h	r	tmin	⚖
GN.64781	GN 565.5-20-112-A-GP	20	M6	112	13	49	13	10	293
GN.64782	GN 565.5-20-128-A-GP	20	M6	128	13	51	13	10	300
GN.64783	GN 565.5-20-160-A-GP	20	M6	160	13	51	13	10	360
GN.64784	GN 565.5-20-200-A-GP	20	M6	200	13	51	13	10	440
GN.64791	GN 565.5-26-128-A-GP	26	M8	128	17	57	19	12	513
GN.64794	GN 565.5-26-160-A-GP	26	M8	160	17	57	19	12	595
GN.64797	GN 565.5-26-200-A-GP	26	M8	200	17	57	19	12	705

## GN 565.5-B-GS

Code	Description	b	d	l±0.25	a	h	h2	r	t	⚖
GN.27432	GN 565.5-20-112-B-GS	20	5.4	112	13	49	13.5	13	5.5	270
GN.27436	GN 565.5-20-128-B-GS	20	5.4	128	13	51	13.5	13	5.5	330
GN.27438	GN 565.5-20-160-B-GS	20	5.4	160	13	51	13.5	13	5.5	360
GN.64793	GN 565.5-26-128-B-GS	26	6.4	128	17	57	11	19	6	451
GN.64796	GN 565.5-26-160-B-GS	26	6.4	160	17	57	11	19	6	463
GN.64799	GN 565.5-26-200-B-GS	26	6.4	200	17	57	11	19	6	769